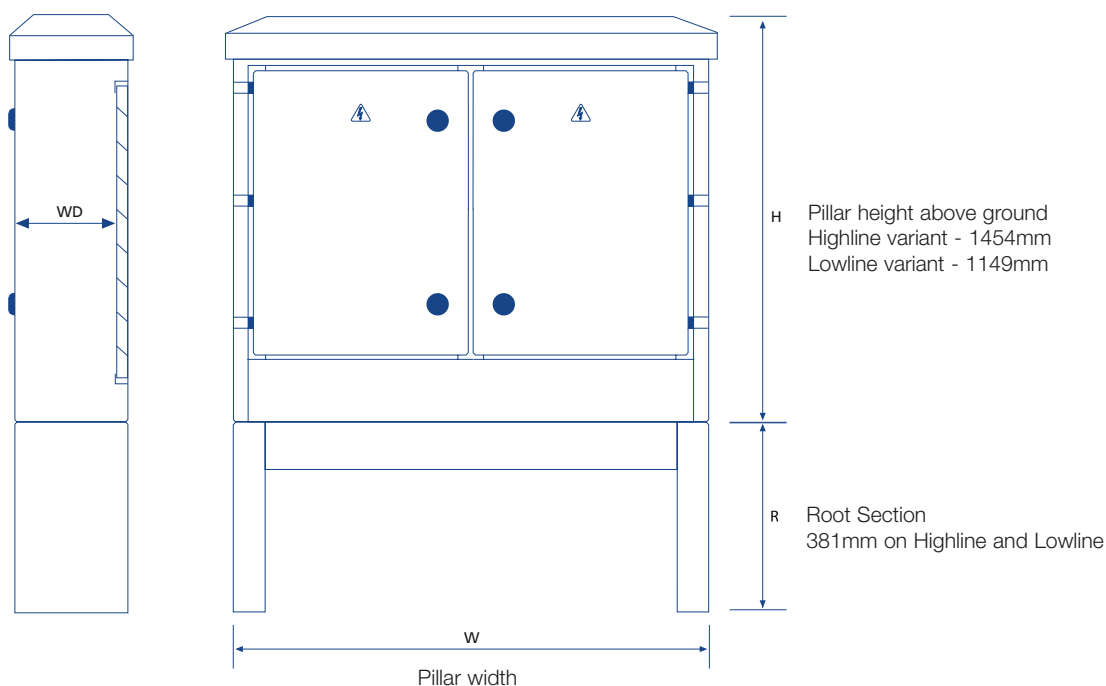


# Heritage Cast Iron

Still a popular choice, Heritage Cast Iron pillars offer unrivalled longevity of service in a massively robust structure. Cast iron street furniture is increasingly being specified in urban areas to preserve architectural character and maintain the coveted listed status that certain sites enjoy.

Nine widths are offered in two different heights. The first two sizes, 22 and 30, are fitted with single left-hand opening doors whilst the remainder are double door equipped. Customers are able to choose special options from a list (see over) which includes doors fitted back and front and non standard colours.



### Dimensions (mm)

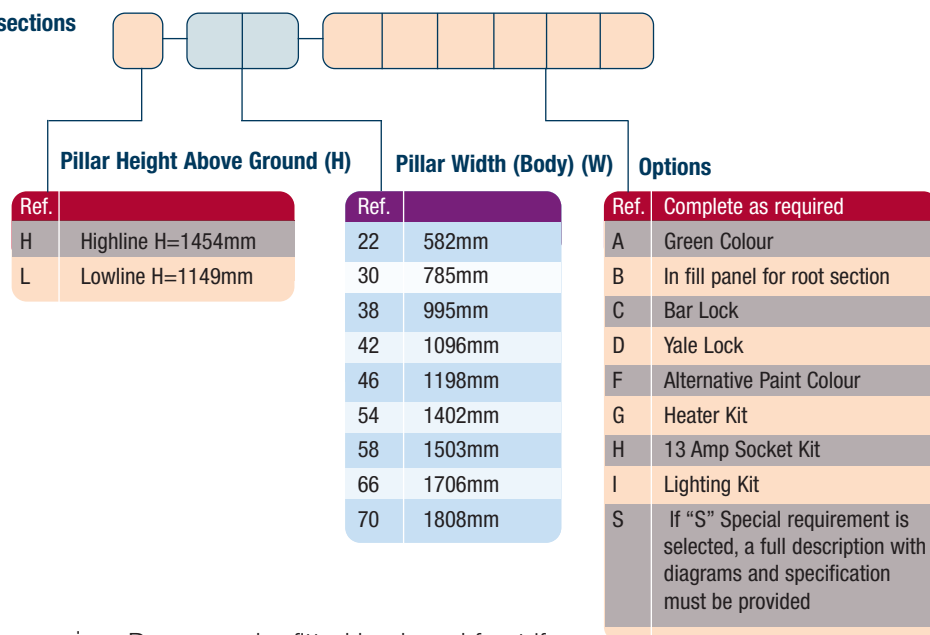
Pillar size code	22	30	38	42	46	54	58	66	70
A Width of Pillar Roof (RW)	632	835	1045	1146	1248	1452	1553	1756	1858
B Ground Fixing Centres (Bolt on root only)	273	476	686	787	889	1092	1194	1397	1498
C Ground Fixing Centres (Shell only)	521	724	934	1035	1137	1340	1442	1645	1746
D Min. distances required to open door	435	486	452	503	554	655	706	808	895
E Internal Width	559	762	972	1073	1175	1378	1480	1683	1784
Backboard Width	483	686	896	997	1099	1302	1404	1607	1708

Approx. Empty Weight (Kg)	22	30	38	42	46	54	58	66	70
Highline	240	280	315	332	360	398	415	440	460
Lowline	203	241	279	292	318	343	368	394	406

**Note**

1. Highline & Lowline dimensions A to D are common.
2. Pillar sizes 22 & 30 single door hinged from left hand side.
3. Internal working depth (WD) from backboard = 353mm. (461mm external depth)
4. Backboard height: Highline = 1185mm Lowline = 880mm.

**The ordering code consists of 3 sections**



### Specification

Pillar cap and sides cast in close grain grey iron to BS 1452, grade 180

All pillar components receive a zinc phosphate resin treatment followed by a final coat of polyurethane paint in dark Admiralty grey (RAL 7012) or Hollybush green (RAL 6028)

Doors and back panels are fabricated from 4mm nominal thickness special chrome enriched steel

IP3L3 rating

Sets of zinc pre-coated steel in-fill panels available for fitting to root when mounted above ground

Doors can be fitted back and front if required with a centre mounted backboard offering dual entry/security i.e. for REC and Local Authority access

15mm marine ply backboard standard fitment

Two wedge locks with security covers

Removable doors with latching stays

Lucy anti-condensation vented cap

Lifting lugs (for lifting non-equipped cabinets only)

### Options

In-fill/apron plate

Yale lock or bar lock

Alternative paint finishes to British Standards

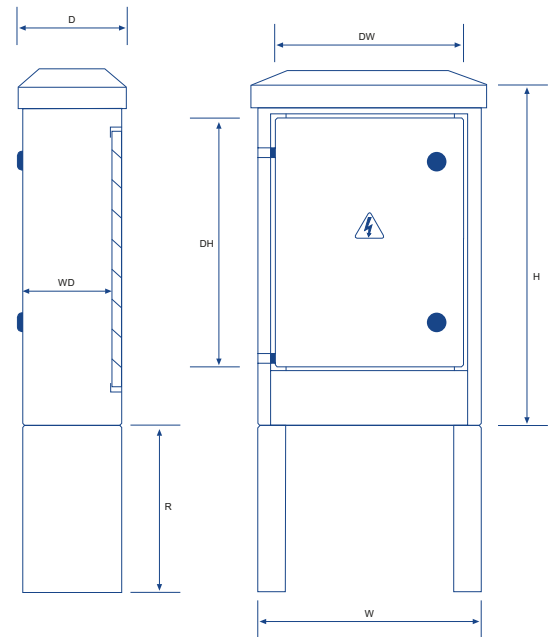
Interior light, heater with thermostat

Pre-equipped backboard according to Customer specification with factory test certificate

G2A Highways Agency paint specification

# Heritage Miniline Cast Iron

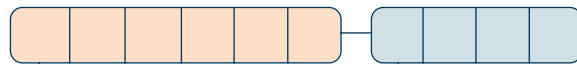
Heritage Miniline pillars provide an extremely robust yet aesthetic solution to the requirement for Service pillars in areas of high population density where pavement space is at a premium. Apart from the in-fill panels, the complete cabinet is made from cast iron and can accommodate a variety of equipment including fuse switchgear, contactors and street lighting controlgear.



### Dimensions (mm)

Miniline code	12855	12893	A24046
Height above Ground (H)	711	917	930
Root Section (R)	203	203	300
Width (W)	490	490	580
Depth (D)	180	180	260
Working Depth (WD)	145	145	175
Backboard Size (WxH)	440x610	440x765	530x790
Weight (Kg)	76	102	152

The ordering code consists of 2 sections



### Pillar Size (mm)

Ref.	
12855	H=711 W=490 D=180
12893	H=917 W=490 D=180
A24046	H=930 W=580 D=260

### Options

Ref.	Complete as required
A	Green Colour
B	In fill panel for root section
C	Bar Lock
D	Yale Lock
F	Alternative Paint Colour
G	Heater Kit
H	13 Amp Socket Kit
I	Lighting Kit
S	If "S" Special requirement is selected, a full description with diagrams and specification must be provided

### Specification

Cast in close grain grey iron to BS 1452: grade 180

In-fill panels fabricated from zinc pre-coated steel

Single doors fitted with 2 Lucy T key wedge locks

15mm marine ply backboard

IP3L3 rating

All pillar components receive a zinc phosphate resin treatment followed by a final coat of polyurethane paint in dark Admiralty grey (RAL 7012) or Hollybush green (RAL 6028)

Pre-equipped backboard according to Customer specifications with factory test certificate

### Options

In addition to the list above, paint finishes to G2A Highways Agency specifications can be obtained.